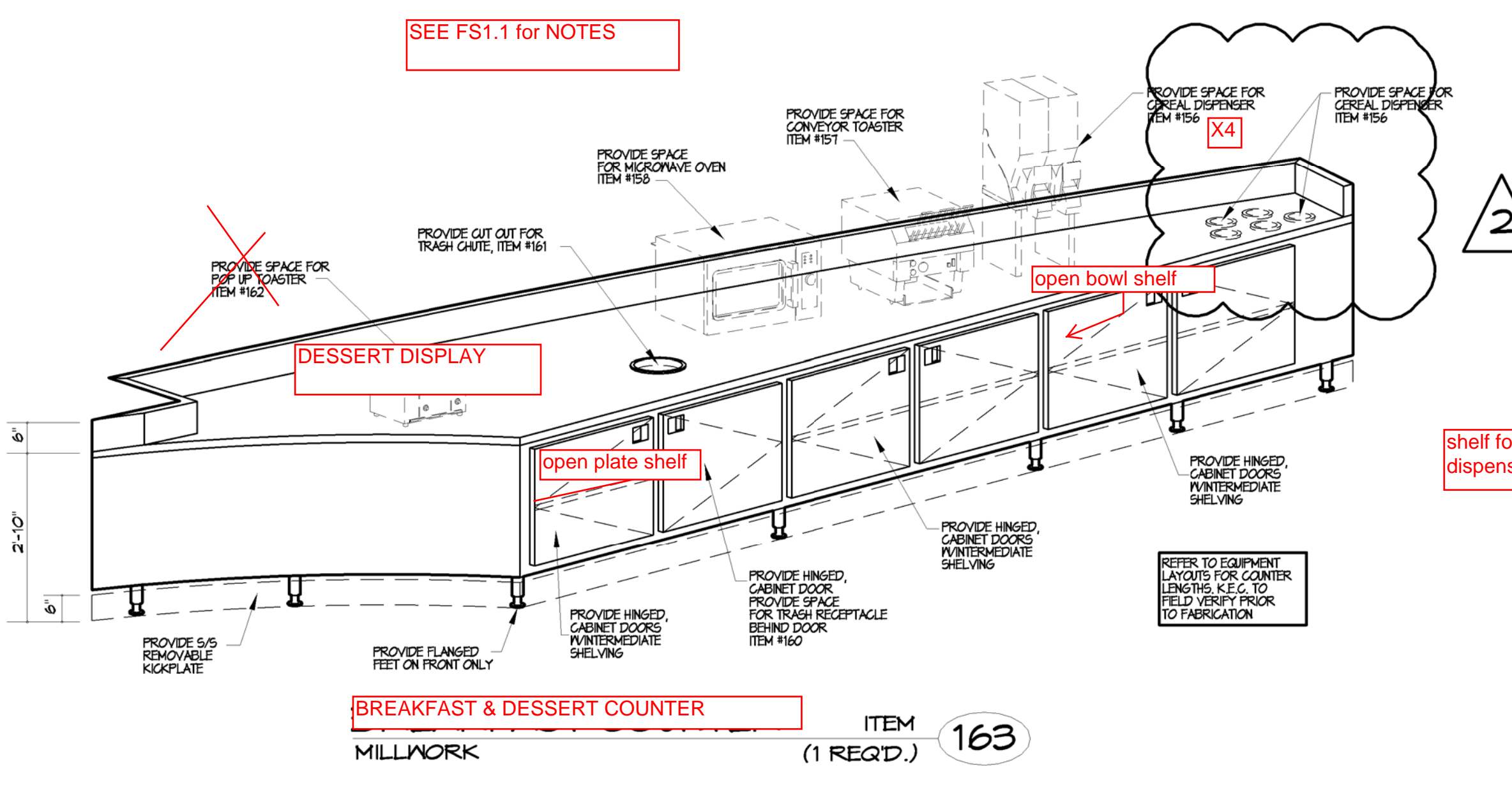
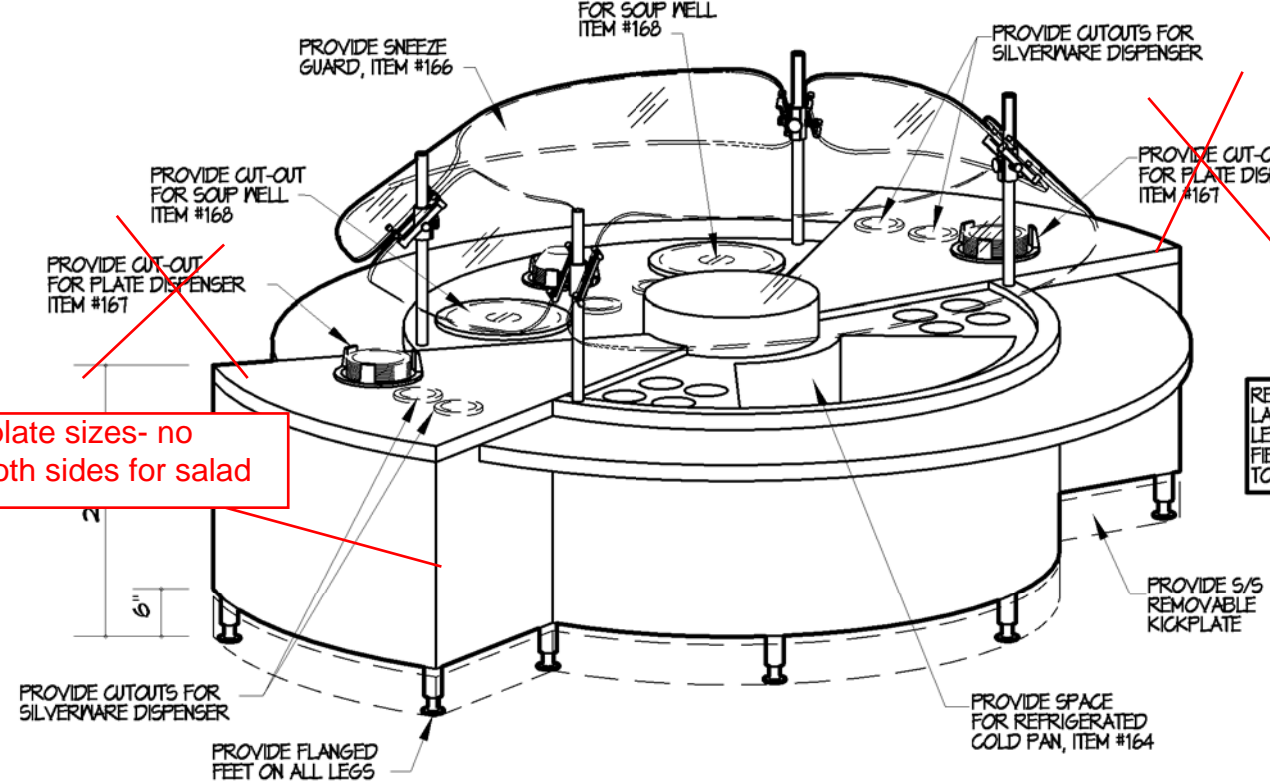


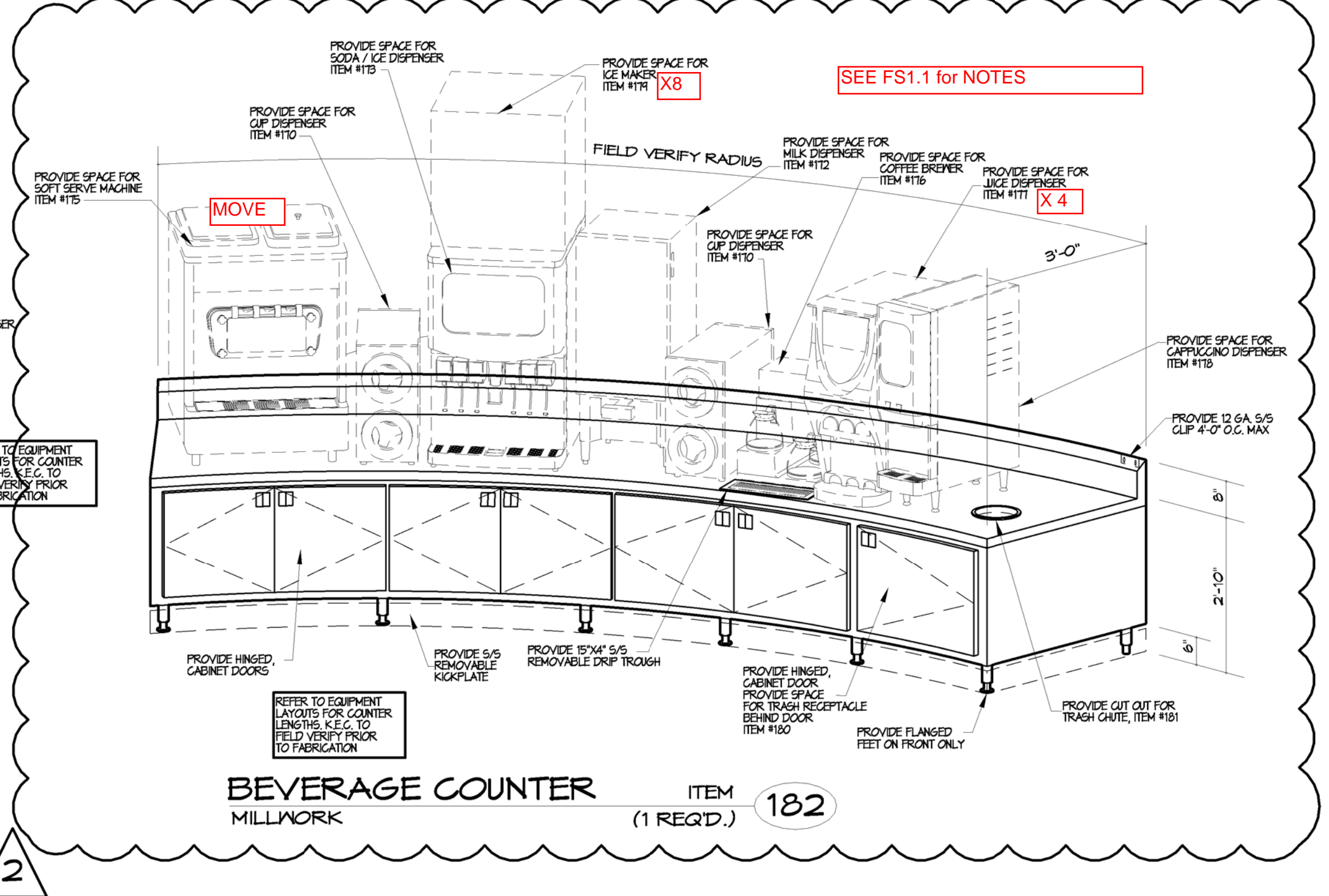
SERVING COUNTER W/PLATE STORAGE ITEM 132 (1 REQ'D.)
REFRIGERATED COLD PAN ITEM 154 (1 REQ'D.)



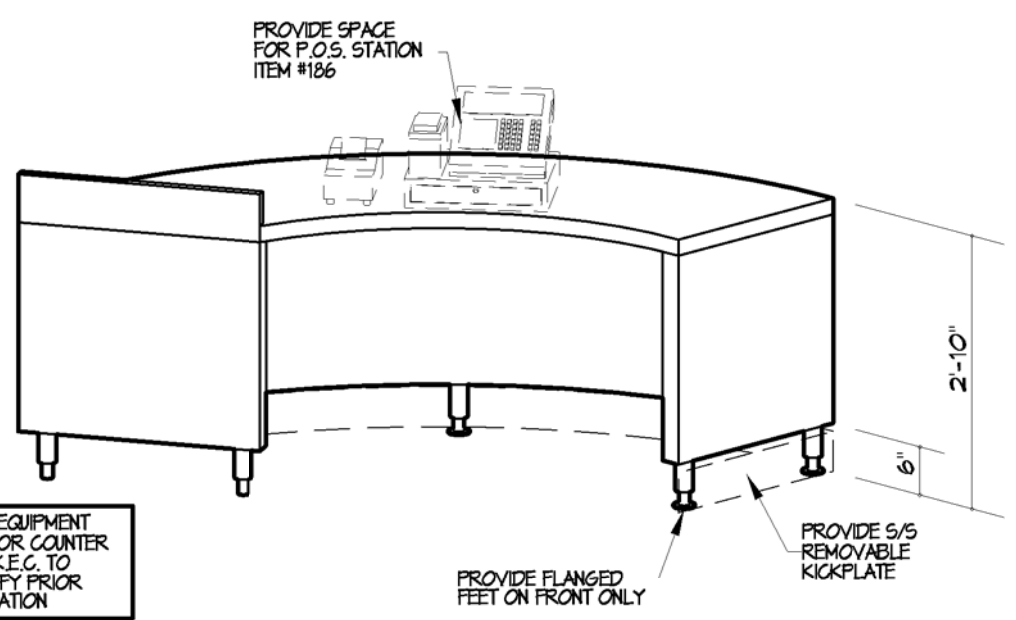
BREAKFAST & DESSERT COUNTER ITEM 163 (1 REQ'D.)
 MILLWORK



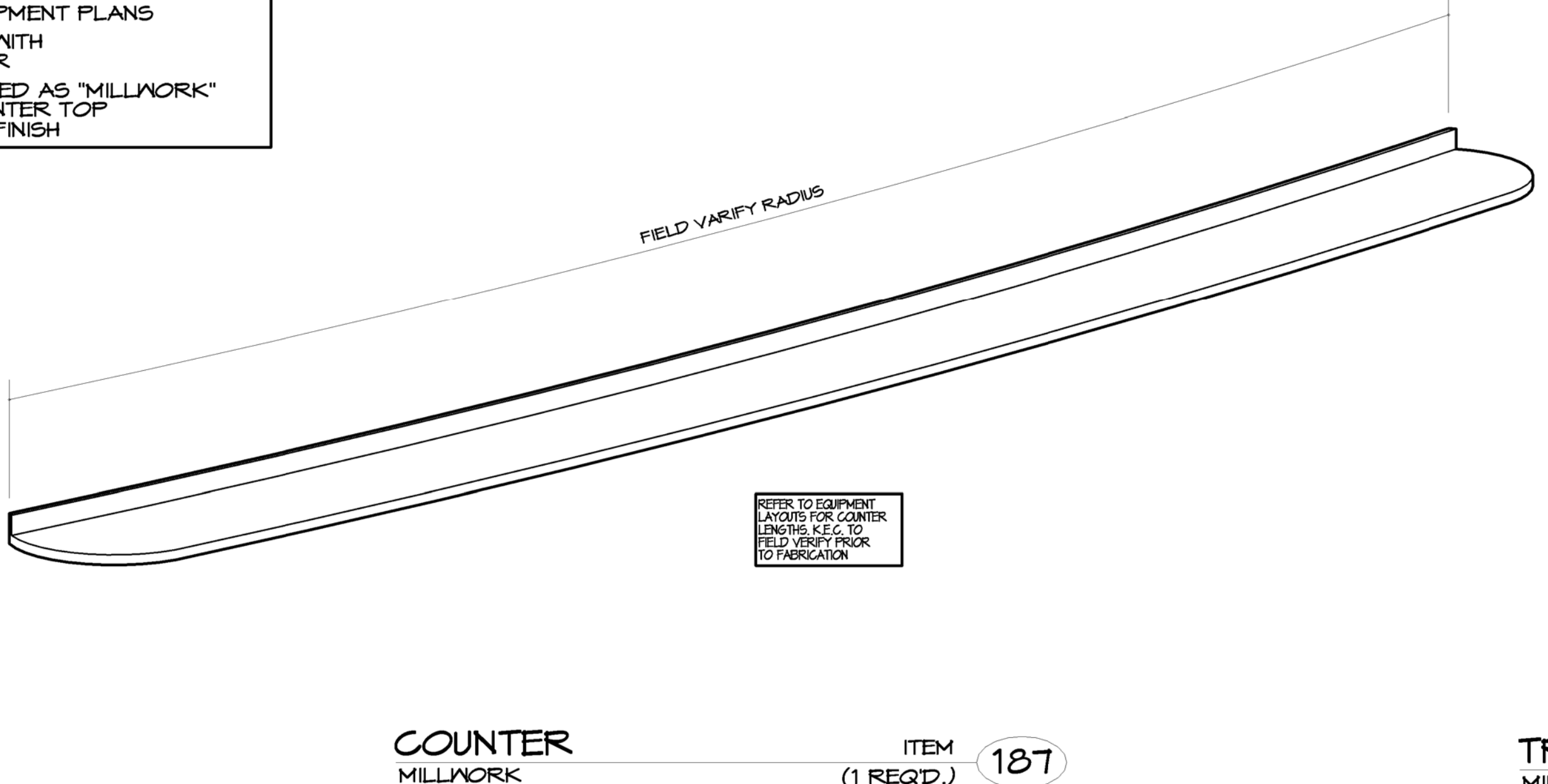
REFRIGERATED COLD PAN ITEM 164 (1 REQ'D.)
SALAD BAR ITEM 165 (1 REQ'D.)
 MILLWORK



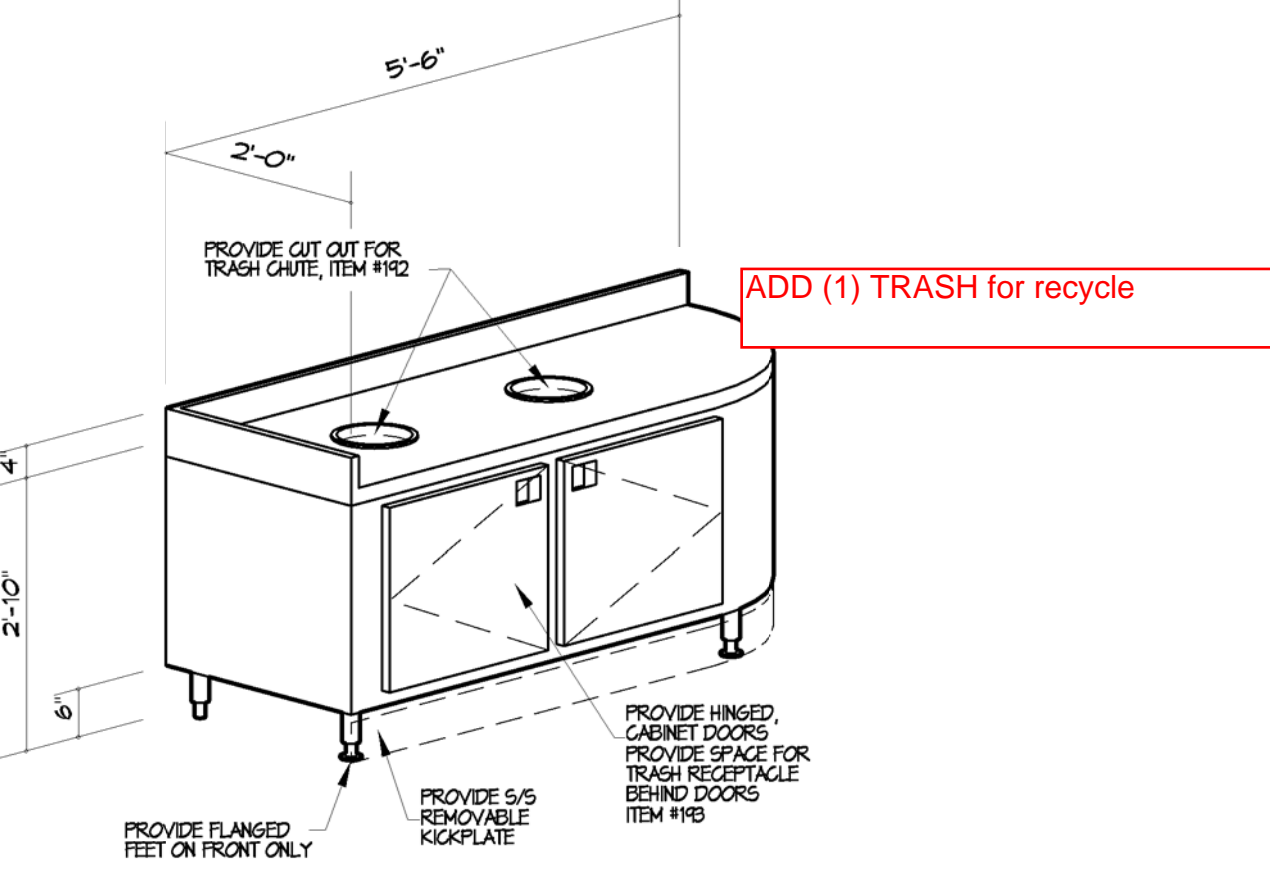
BEVERAGE COUNTER ITEM 182 (1 REQ'D.)
 MILLWORK



P.O.S. STATION ITEM 184 (1 REQ'D.)
 MILLWORK



COUNTER ITEM 187 (1 REQ'D.)
 MILLWORK



TRASH/ RECYCLING COUNTER ITEM 191 (1 REQ'D.)
 MILLWORK

FABRICATION NOTES:
 1. ALL EDGES TO BE A #7 MIRROR FINISH
 2. ALL S/S TOPS TO HAVE BULLNOSE EDGE
 3. VERIFY ALL DIMENSIONS W/EQUIPMENT PLANS
 4. VERIFY ALL LAMINATE FINISHES WITH ARCHITECT'S INTERIOR DESIGNER
 5. ALL SERVERY COUNTERS LABELED AS "MILLWORK" TO HAVE S/S CABINET, S/S COUNTER TOP AND PLASTIC LAMINATE FRONT FINISH

SCALE: 6" = 1'-0"
 0 1.5' 3' 6' 8'



H+L architecture
 1755 Blake Street, Suite 400
 DENVER, COLORADO 80202
 (t) 303.292.6437 (p) 303.298.4700

ASSOCIATE ARCHITECT
 Thira Incorporated
 1520 Bridge Lane #8
 Steamboat Springs, CO 80477
 (t) 970.879.1037 (p) 970.871.9041

CIVIL ENGINEER
 Civil Design Consultants, Inc.
 2145 Resort Drive, Suite 100
 Steamboat Springs, CO 80487
 (t) 970.879.3022

LANDSCAPE ARCHITECT
 H+L Architecture
 1755 Blake Street, Suite 400
 Denver, CO 80202
 (t) 303.292.6437 (p) 303.298.4700

LANDSCAPE CONSULTANT
 MCK Design, Inc.
 2145 Resort Drive, Suite 215
 Steamboat Springs, CO 80487
 (t) 970.879.7746

STRUCTURAL ENGINEER
 Monroe & Neill Engineers, Inc.
 70 Benchmark Road, Suite 204
 Avon, CO 81620
 (t) 970.949.7766

MECHANICAL/PLUMBING ENGINEER
 Castor Ruma & Associates
 886 Taber Street
 Lakewood, CO 80401-4700
 (t) 303.233.3701 (p) 303.462.8464

ELECTRICAL ENGINEER
 Castor Ruma & Associates
 886 Taber Street
 Lakewood, CO 80401-4700
 (t) 303.233.3701 (p) 303.462.8464

ACOUSTICAL CONSULTANT
 D.L. Adams Associates, Inc.
 1701 Boulder Street
 Denver, CO 80211
 (t) 303.455.1100

IT / AV CONSULTANT
 Remco Group, Inc.
 10807 New Allegiance Drive, Suite 400
 Colorado Springs, CO 80921
 (t) 719.533.1113 (p) 719.533.1112

FOOD SERVICE CONSULTANT
 Systems Design International
 5200 DTC Pkwy, Suite 500
 Greenwood Village, CO 80111
 (t) 303.771.0969 (p) 303.771.0034

COLORADO MOUNTAIN COLLEGE
ALPINE CAMPUS CENTER
 1330 Bob Adams Drive, Steamboat Springs, CO 80487



This drawing is an instrument of service and shall remain the property of H+L Architecture. The drawing and the concepts and ideas contained herein are not to be used, reproduced, copied, or otherwise disseminated without the express written approval of H+L Architecture.

Project Number: 406.003
 Issued For: CONSTRUCTION DOCS.
 Date: April 15, 2011

Revision	Date
REVIEW 7.21.11	

CUSTOM FABRICATION DETAILS

FS3.2